

# CARDONE ProTech

Supporting Today's Vehicle Technician



## Grounding Wiper Motor Corrects Parking and Other Problems

**Application** All vehicles with electric wiper motors

**Problem** Motor will not park, will not shut off, parks in middle of windshield, or motor will not run.

**Cause** Resistance in ground path to motor.

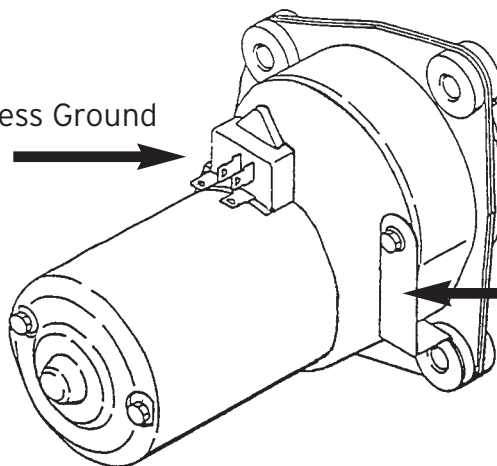
**Solution** Connect a ground strap from engine block to the motor case. If necessary scrape some paint off motor to insure a good connection.

If motor operates, check wiring harness ground, terminal ground lug or ground strap if equipped for good connection. Also check for paint on motor bosses where the mounting bracket is fastened.

If motor still fails to operate correctly, check switch and the circuit.

### Example

Check Harness Ground



Check Ground Strap

For other ProTech publications, visit [www.cardone.com](http://www.cardone.com)