

# CARDONE ProTech

Supporting Today's Vehicle Technician



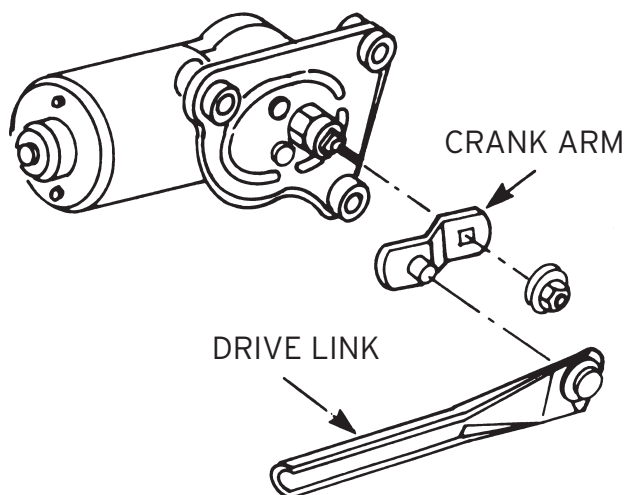
## Operating Wiper Motor Before Installation Causes Problems

**Application** All Electric Wiper Motors.

**Problem** Replacement wiper motor parks in wrong position.

**Cause** Power was applied to the unit before installation moving it off park position.

**Solution** Remove linkage from installed unit, operate motor on high speed for 5 seconds, then switch to park position. Reinstall linkage so wiper arms are in park position. Operate unit and test for proper operation. If not correct, test motor ground (see ProTech PT 40-0001), also refer to vehicle service manual for specific installation procedures.



**Note** CARDONE units are supplied in the correct park position.

For other ProTech publications, visit [www.cardone.com](http://www.cardone.com)