

HOW TO MEASURE YOUR MIRROR

Accurate measurements of your original mirror will help you find the correct Burco mirror replacement. Multiple options may exist.

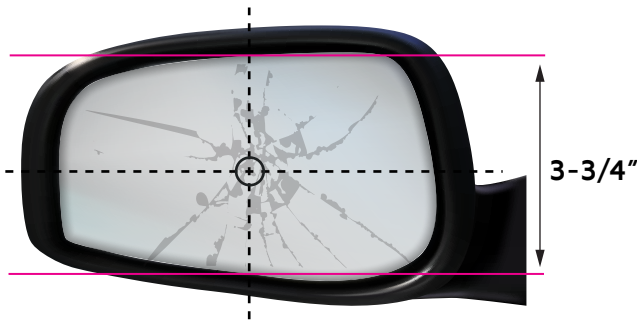
THREE MEASUREMENTS ARE PROVIDED:

3-3/4" x 6-1/2" x 6-9/16"

Vertical

Horizontal

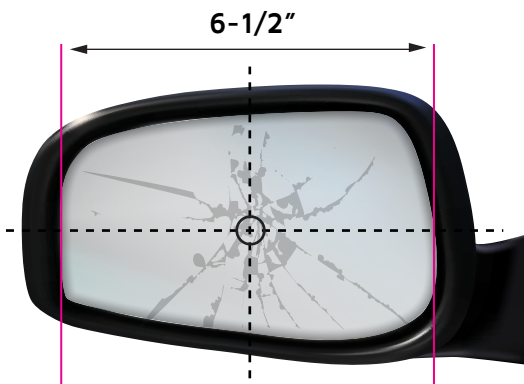
Diagonal



Vertical Measurement

To find the vertical measurement, measure vertically from the horizontal center.

*Measure the mirror glass only. For glass replacements with a pre-applied motor mount, include the black plastic rim in the measurement.



Horizontal Measurement

To find the horizontal measurement, measure horizontally from the vertical center.

*Measure the mirror glass only. For glass replacements with a pre-applied motor mount, include the black plastic rim in the measurement.



Diagonal Measurement

To find the diagonal measurement, use the mirror's longest diagonal measurement. In this case, the longest measurement is from the outside upper to inside lower portion of the mirror.

*Measure the mirror glass only. For glass replacements with a pre-applied motor mount, include the black plastic rim in the measurement.