



**Before returning this product
to the store of purchase**

Contact Dee Zee if you experience the following problems:

- Missing Parts
- Installation Problems/Questions
- Warranty Questions

1.800.779.2102

Hours of operation: 8am - 5pm CST, Mon-Friday

Review complete warranty policy and register your product at:

www.deezee.com/warranty.php

INSTALLATION INSTRUCTIONS

BED RAIL

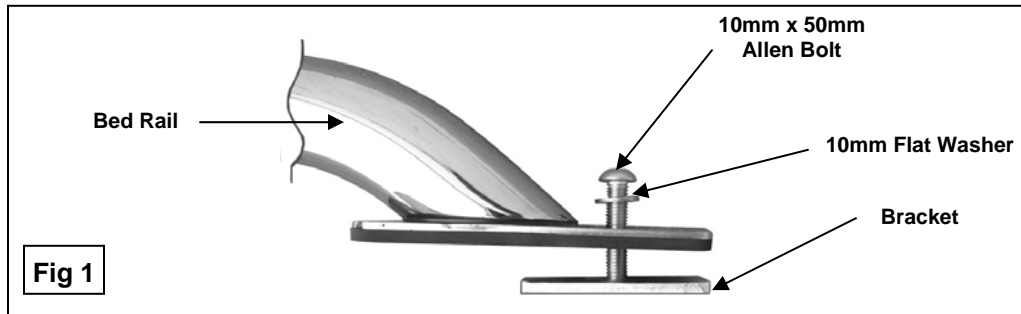
PART NUMBER DZ 99600 Series

PARTS LIST:

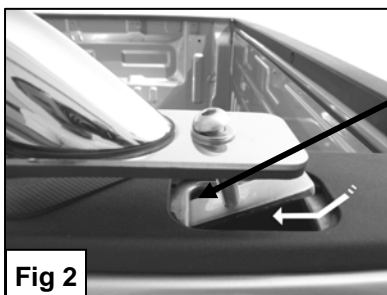
2	Bed Rails	1	Allen Wrench
4	80mm Rectangular Threaded Brackets	4	10-1.50mm x 50mm Allen Head Bolts
4	50mm Parallelogram Threaded Bracket	4	10mm ID x 20mm OD x 1.5mm Stainless Steel Flat Washers

PROCEDURE:

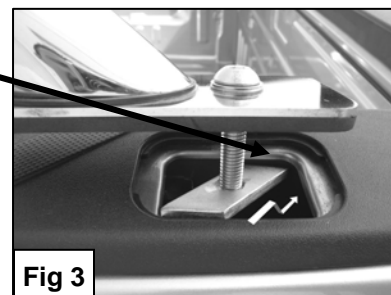
1. REMOVE CONTENTS FROM BOX. VERIFY ALL PARTS ARE PRESENT. READ INSTRUCTIONS CAREFULLY BEFORE STARTING INSTALLATION.
2. Remove the stake pocket cover from vehicle, if equipped.
3. Attach (1) 10mm Bolt, (1) 10mm Flat Washer, and (1) Threaded Bracket to each end of Bed Rail as shown in **Figure 1**. **NOTE:** Depending upon your vehicle, use the correct size Threaded Bracket. For small stake pockets use the parallelogram shape bracket, and for larger stake pocket use the rectangular shape bracket.
4. Position the Bed Rail onto the top side of bed. Attach the front end of the Bed Rail by tilting the Bolt until one side of the Bracket engages (**Figure 2 & 3**). Once you engage one side of Bracket, slide Bracket into stake pocket until opposite side of Bracket engages on the opposite side of stake pocket. Before tightening, engage the rear end of Bed Rail. Repeat this step to engage rear end of Bed Rail (**Figure 4 & 5**).
5. To tighten the Brackets, pull up on one side of the Bed Rail and make sure the Bracket is engaged and centered. Keep pulling up on the Bed Rail to prevent Bracket from moving while tightening the Bolt. Mostly tighten the front at this time (**Figure 4 & 5**). Then fully tighten the rear, then go back and fully tighten the front.
6. Repeat steps 2 – 5 for opposite side Bed Rail.
7. Do periodic inspections to the installation to make sure that all hardware is secure and tight.



Oversized Stake Pocket Shown



Small Stake Pocket Shown



Engage one side first



Keep pulling up when tightening