

USER'S MANUAL

455BRGB

BLUETOOTH® | MP3-COMPATIBLE
DIGITAL MEDIA AM/FM RECEIVER
FEATURING MULTICOLOR ILLUMINATION



Overview of the Components



1. (power) / SRC (source) button
2. SEL (select/menu) button and VOL (volume) knob
3. BND(BAND) / AMS(automatic store station, automatic music search) and (answer call) button
4. (pause/play), Preset station 1 button
5. INT (intro), Preset station 2 button
6. RPT (repeat), Preset station 3 button
7. RDM (random), Preset station 4 button
8. -10(previous 10 tracks), previous folder, Preset station 5 button
9. +10(next 10 tracks), next folder, Preset station 6 button
10. CLK (clock setting), MUTE button, (end call) button
11. (tune/seek down, previous track, fast reverse) button
12. (tune/seek up, next track, fast forward) button
13. Hands-free Microphone
14. LCD Display
15. USB Port
16. AUX IN (auxiliary input) jack
17. Reset button

General Operation

Turn Unit on/off, Change the Source

- Press the (power) / SRC button to turn on the unit. Press and hold the (power) / SRC button to turn off the unit.
- Press the (power) / SRC button to select the different modes: Radio, USB(with USB device inserted), AUX-IN(auxiliary input) and BT(Bluetooth) modes.

Adjust the volume (VOL)

Rotate the VOL knob to increase or decrease the volume level.

Adjust Menu Options (SEL)

- Press SEL button repeatedly to cycle through the following adjustable audio functions:

USB Operation

If you would like to playback files contained in a USB stick, please insert the stick into the USB port. The MP3/WMA files will be played automatically.

Note: The USB port of this car radio is also designed for charging for iPhone / android mobile phone. The charging current consumption is 1 ampere.

Select Next Track or Previous Track

In the USB mode, briefly press the (next) or (previous) button to play the the next or previous track.

Faste Forward/Reverse

Press and hold the (next) or (previous) button to fast forward or reverse a track.

Play / Pause

Press the (pause/play) button to interrupt the playback of a music (pause function). Press this button again to continue the playback.

Introduction Scan

Press the INT button to play the first 10 seconds of all track. Press again to stop theintroduction scan, and play the current track.

Repeating the track

Press the RPT button to toggle between RPT ALL (Play all track), RPT FLR (Continuously repeats all tracks in current folder) and RPT ONE (Continuously repeats current track).

Playing all tracks in random

Press the RDM button. A random playback of all tracks will start. Press the button again to set the normal playback.

Track/Folder Navigation

- Press the -10/+10 buttons to jump 10 tracks backward or forward. It is required that over 10 tracks be available on the storage medium.
- Press and hold the -10/+10 button to select the previous or the next folder. (If there are folders on the storage medium.)

Select the track or file for playback in MP3 format

a) Press and hold the BND/AMS button to enter track search mode. First "TRK0000" will appear on the display.
b) Rotate the volume knob and select the "first number". Then press the (next) button to move the "first number" to the left and enter the next number.
c) When the desired track number appears, confirm your selection by pressing SEL button.
If no any operation in 5 seconds,it will play the current track.

Specifications

General

Power supply Requirement :	DC 12V
Maximum power output :	50W X 4CH
Speaker impedance :	4 - 8 Ohm
Unit Dimensions(WxHxD) :	7.0 X 2.0 X 3.8 inch
Weight :	1.54 Lb (0.7 kg)
Fuse :	15 A

RADIO

FM

Frequency Range:	87.5 MHz - 107.9 MHz (USA) 87.5 MHz - 108.0MHz (EUROPE)
Channel step:	200 KHz(USA) 50 KHz(EUROPE)

AM

Frequency Range:	530 KHz - 1710 KHz (USA) 522-1620 KHz(EUROPE)
Channel step:	10 KHz(USA) 9 KHz(EUROPE)

USB

Usable Audio Formats:	MP3/WMA
USB Port Type:	2.0
USB Charging:	5V/1A
Pre-amp Output:	Front and Rear
Frequency Response:	20 Hz - 20KHz
S/N Ratio:	60dB

BT

BT Profile supports:	Headset, Handsfree and A2DP & AVRCP
Range of frequency:	2.4GHz spectrum

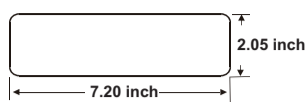
Installation

Installation Procedures

First complete the electrical connections and then check for correctness.

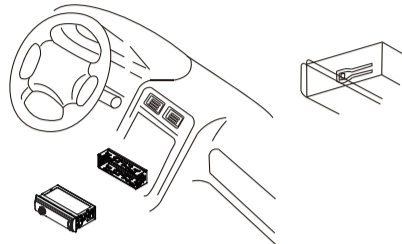
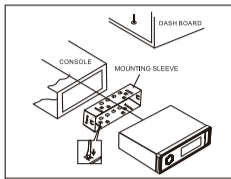
Installation Opening

This unit can be installed in any dashboard Having an opening as shown below.



Insert mounting collar into the dashboard and bend the mounting tabs out with a screwdriver.

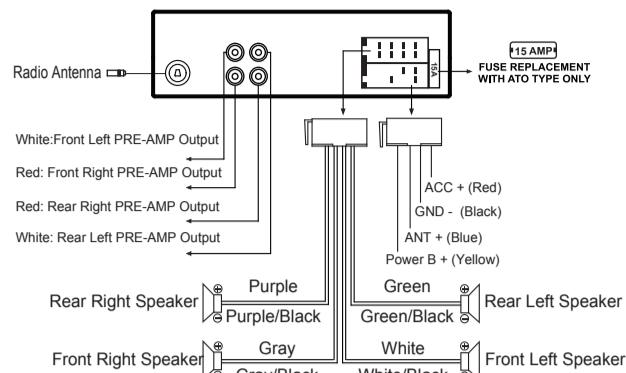
Make sure that lock lever is flush with the mounting collar(not projecting outward).



Installation

Connect all wiring harness and slide the head unit into the mounting collar until it clicks into place.

Wiring Connections



- +12V DC Negative Ground.
- Only use speakers with 4 ohms impedance.
- The maximum current of the Amp remote trigger is 200mA.

General Operation

- BASS/TREBLE:-7, -6, ~, -1, 0, +1, ~, +6, +7
- BALANCE:L7, L6, ~, L1, 0, R1, ~, R6, R7
- FADER:R7, R6, ~, R1, 0, F1, ~, F6, F7
- EQ(Equalizer) Setting: OFF, CLASS, ROCK, POP, FLAT
- Loudness: LOUD ON/OFF
- DX/LOCAL: Enables or disables the local broadcast mode (LOCAL).
- Stereo/Mono: Switches between MONO and STEREO reception mode for radio frequencies.
- CLOCK 12/24: Select between 12 hours and 24 hours display.
Note: If 12 hour display is selected , AM= Morning; PM= Afternoon
- AREA US/EU: This car radio is equipped the USA / Europe frequency. Rotate the volume knob to switch between USA and Europe frequency. The system will change the frequency setting in about 3 seconds.
- 7 color-changing illumination in buttons:
This car radio device is equipped 7 color-changing illumination in buttons. The illumination color can be preset Auto(color automatically change one by one), blue, red, Cyan, Green, Purple, Yellow, White.

- Rotate the VOL knob to adjust the selected item.

Setting the Clock

Press and hold the CLK button to display time. Press the CLK button, the hours digits start flashing on the display. Set hours by pressing the (next) and (previous) button. Then briefly press the CLK button. The minute digits start flashing. Set minutes by pressing the (next) and (previous) button. Finally press the CLK button to confirm your settings.

LCD Display

Mute On/Off

In power on mode, briefly press the MUTE button to toggle mute on or off.

USB Port

Hands-free Microphone

Auxiliary Input Jack

Reset

Push the RESET button with a thin object with a pointed end to reset all parameters to factory default settings.This function may be used when the LCD does not display normally or sound is distorted, or when any of controls are disabled.

Auxiliary Operation

Using this socket, it is possible to hear the sound of other playback devices such as MP3 players, CD players etc. through the car loudspeaker.

1. Please connect the external device with a 3.5 mm stereo jack plug to the AUX socket.
2. Press the SRC button repeatedly until "AUX IN" appears in the display.
3. You hear the playback from the external device via the loudspeakers. You can adjust the volume of the external device to a comfortable level with the volume control of this device.

Bluetooth Operation

Pair and Connect

Prior to using the Bluetooth device as a handsfree system for a Bluetooth enabled mobile phone for the first time, you must pair and connect the two devices as follows:

1. In any mode, prior to pairing and connecting, the BT logo in the LCD indicating that no device is connected. To begin pairing, enable BT mode on your mobile phone.
2. When the phone finds the car audio system, the "BOSS 455BRGB" name will be displayed.
3. Choose the "BOSS 455BRGB" from the device list to pair and connect with the car audio system. Upon confirming, the BT logo will stop flashing.
4. When pairing is complete, the mobile phone audio will automatically transfer to the car audio system whenever a call is made or received, or when the mobile phone plays music.

Make a Call

To make a call, dial the call directly from the paired mobile phone.

Redial Last Dialed Number

Press and hold the (answer call) button on the control panel to redial the last dialed phone number.

Answer a Call

- When the mobile phone is called, the incoming telephone number displays on the LCD.
- To receive the call, press the (answer call) button on the front panel or remote control.

Reject or End a Call

To reject or end the call, press the (reject call) button on the front panel or remote control.

Troubleshooting

If you suspect something is wrong, immediately switch power off. Do not use the unit in abnormal condition, for example without sound, or with smoke or foul smell, can cause fire or electric shock. Immediately stop using it and call the store where you purchased it. Never try to repair the unit by yourself because it is dangerous to do so.

■ General

- 1) **Car's engine switch is not on.**
Turn you car's key to ACC or ON.
- 2) **Cable is not correctly connected.**
Check the connection.
- 3) **Fuse is burnt.**
Replace fuse.
- 4) **Volume is in mute or minimum.**
Check volume or mute on/off, adjust volume to a desired level.
- 5) **Sound skips.**
The installation angle is more than 30°. Adjust the installation angle less than 30°.
- 6) **The operation keys do not work.**
The built-in micro- computer is not operating properly due to noise. Press the RESET button to restore the program to zero.

■ Radio

- 1) **Much noise in broadcasts.**
Station or signal is too weak. Select other stations of stronger signal level.
- 2) **The antenna cable is not connected.**
Insert the antenna cable firmly into the antenna socket of this car radio.
- 3) **Preset station is reset.**
Battery cable is not correctly connected. Connect the battery cable to the terminal that is always live.

■ USB

- USB is connecting but no sound**
 - a) USB connection is not good. Take it out and insert again.
 - b) USB is damaged or no music file inside.
Change to another USB, or record music inside it.

Radio Operation

Switch Between USA area and Europe area Frequency

In radio mode, press the SEL button to enter the switch state of the US (USA) and EU(europe)/frequency, then rotate it to switch between US(USA) and EU(europe) frequency. The system will change the frequency setting in about 3 seconds.

Change Bands

In radio mode, shortly press the BAND/AMS button to switch between the FM1(F1), FM2(F2), FM3(F3) and AM1(A1), AM2(A2) bands.

To Store / Recall Preset Stations

The radio can be stored 6 preset stations for each band (FM1, FM2, FM3, AM1 and AM2) for atotal of 30 preset stations.

- To memorize a station:

Press and hold the desired preset buttons (1-6) to save a radio station.

- To recall a preset station:

Briefly press the respective station button (1-6) to recall the corresponding preset station.

Manual Tuning

In the radio mode:

Press and hold the (next) or (previous) button to enter the manual tuning mode. In manual tuning mode, briefly press the (next) or (previous) button to search the next or previous frequency step by step.

Seek Tuning

In radio mode, press the (next) or (previous) button, the automatic search will start, it will search upward or downward for the strong signal radio station within the current band. The auto searching will stop until find a station.

Automatic Store Preset station (AMS)

Press and hold the BAND/AMS button to store 18 FM stations and 12 AM stations automatically.

Bluetooth Operation

Switch Audio Between Car Audio and mobile Phone

During a call, press the VOL knob/button to switch the audio source from the car audio system back to your mobile phone.

Adjust Call Volume

- During a call, use VOL knob to adjust the call volume level.
- Use the MUTE button to mute sound.

Audio Streaming (A2DP)

The unit supports A2DP (advanced audio distribution profile) wireless streaming audio from your Bluetooth mobile device directly to your head unit. You can also control your music from the front panel of the head unit using AVRCP (audio video remote control profile).

1. After pairing, connecting and enabling streaming audio from a compatible mobile device, press the SRC button to enter BT mode and display pause on the LCD display.
2. When a mobile device is paired, music played through that device will automatically be heard through the car audio system and display A2DP in the LCD display.
3. Press the (next) or (previous) button to play the next or previous on the mobile phone.
4. Press the (pause/play) button to pause or resume music playback.

USER'S MANUAL

455BRGB

BLUETOOTH® | MP3-COMPATIBLE DIGITAL MEDIA AM/FM RECEIVER



BOSS Audio Systems
3451 Lunar Court • Oxnard, CA 93030

www.bosssaudio.com
800-999-1236 US Toll-free
805-751-4853 Customer Service
Tech Support: www.bosssaudio.com/support/technical-support



0519

iPhone and iPod are trademarks of Apple, Inc. registered in the U.S. and other countries. BOSS Audio Systems is not affiliated with Apple, Inc. The Bluetooth® word mark and logos are registered trademarks owned by Bluetooth SIG, Inc. and any use of such marks by BOSS Audio Systems is under license. Other trademarks and trade names are those of their respective owners.

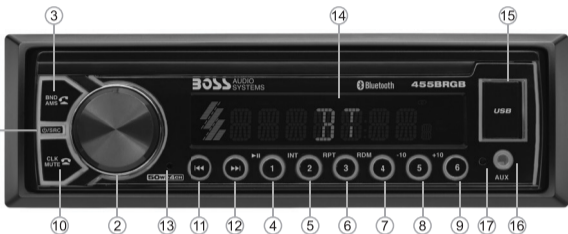
MANUAL DEL USUARIO

455BRGB

BLUETOOTH® | MEDIOS DIGITALES
MP3-COMPATIBLES RECEPTOR AM/FM
CON ILUMINACIÓN MULTICOLOR



Descripción general de los componentes



1. Botón (potencia) / SRC (fuente)
2. Botón SEL (seleccionar / menú) y el mando VOL (volumen)
3. BND(BANDA) / AMS (reserva automática de emisoras, búsqueda automática de música, búsqueda de música automática) y el botón (respuesta de llamada)
4. (pausa / jugar), botón de emisora 1 predeterminadas
5. INT (intro), botón de emisora 2 predeterminadas
6. RPT (repetir), botón de emisora 3 predeterminadas
7. RDM (aleatorio), botón de emisora 4 predeterminadas
8. -10 (10 pistas anteriores, carpeta anterior), botón de emisora 5 predeterminadas
9. +10 (siguientes 10 pistas, siguiente carpeta), botón de emisora 6 predeterminadas
10. CLK (ajuste del reloj), botón de silencio, botón (colgar llamada)
11. (sintonizar / búsqueda hacia abajo, pista anterior, retroceso rápido)
12. (sintonizar / búsqueda hacia arriba, pista siguiente, avance rápido)
13. Micrófono manos libres
14. Pantalla LCD
15. Puerto USB
16. Puerto AUX IN (entrada auxiliar)
17. Botón de reajuste

Operación General

Turnar On/Off de unidad, Cambiar fuente

- Presionar el botón /SRC para encender la unidad. Presionar y mantener /SRC nuevamente para apagarla.
- Pulse el botón /SRC para cambiar entre los modos tal como la RADIO, USB (con el dispositivo USB insertado), BT(Bluetooth) y AUX-IN(entrada auxiliar).

Ajuste de volumen (VOL)

Gire la rueda del VOL para subir o bajar el nivel de volumen.

Operación de USB

Para reproducir archivos MP3, insertar un dispositivo USB que contenga archivos MP3.
Nota: El puerto USB de esta autoradio está diseñado para jugar multimedia desde dispositivos de memoria flash, y carga desde el móvil de iPhone / android. El consumo de corriente de carga es de 1 amperio.

Pista de Siguiente/ Anterior

Presionar para pasar al comienzo de la siguiente canción.
Presionar para pasar al comienzo de la canción anterior.

Avance / retroceso rápido

Para avanzar rápidamente, pulse y mantenga pulsado el botón ;
Para retroceder rápidamente, pulse y mantenga pulsado el botón .

Jugar/ pausa

Pulse el botón (jugar / pausa) para pausar o recuperar la reproducción.

Explorar introducción

Presione el botón INT para reproducir los primeros 10 segundos de cada pista, pulse de nuevo para detener explorar introducción.

Repetir misma pista

Presione el botón RPT para cambiar entre RPT ALL(Reproduce todas las archivos en el USB), RPT FLR(Reproduce todas los archivos en la carpeta), RPT ONE (Repite continuamente la pista seleccionada)

Jugar todas las pistas en aleatorio

Presione el botón RDM para reproducir todas las pistas en orden aleatorio, pulse de nuevo para cancelar esta función.

Navegar pista / carpeta

-En modo USB, presione el botón 5/-10 para retroceder 10 pistas.
-En modo USB, presione el botón 6/+10 para avanzar 10 pistas.
- Pulse y mantenga pulsado el botón 5 /-10 para volver a la carpeta anterior. Mantenga pulsado el botón 6 /+ 10 para ir a la carpeta siguiente.

Seleccionar la pista o archivo para reproducir en formato MP3

a)En la reproducción de archivos con formato MP3, pulse y mantenga pulsado el botón BND/AMS para entrar al modo de búsqueda de pista, el cual te permite encontrar una pista MP3 específica o archivo por su número de serie y el "TRK0000" aparecerá en la secuencia en la pantalla LCD.
b) Gire la perilla VOL para seleccionar la "primera serie". Pulse el botón para mover la "Primeronúmero" a la izquierda y entrar en el siguiente número.
c) Cuando aparezca el número de pista deseado, confirme su selección pulsando la tecla SEL.

Especificaciones

General

Alimentación :	DC 12V
Máxima potencia de salida :	50W X 4CH
Impedancia de altavoz :	4 - 8 Ohm
Dimensiones del Chasis :	7,0(Anchura) X 2,0(Altura) X 3,8(Profundidad) pulgadas
Peso :	1.54 Lb (0.7 kg)
Fusible :	15 A

RADIO

FM

Rango de Frecuencia:	87.5 MHz - 107.9 MHz (EEUU) 87.5 MHz - 108.0MHz (EUROPA)
Incremento de Canal:	200 KHz(EEUU) 50 KHz(EUROPA)

AM

Rango de Frecuencia:	530 KHz - 1710 KHz (EEUU) 522-1620 KHz(EUROPA)
Incremento de Canal:	10 KHz(EEUU) 9 KHz(EUROPA)

USB

Formatos de Audio:	MP3/WMA
Tipo Puerto USB:	2.0
Carga de USB :	5V/1A
Salida Pre-amp:	Frontal y Trasera
Respuesta en Frecuencia :	20 Hz - 20KHz
Relación Señal/Ruido:	60dB

BT

Perfiles BT:	A2DP, AVRCP y HFP
Rango de Frecuencia:	Espectro 2.4 GHz

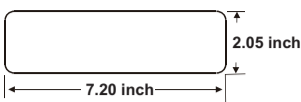
Instalación

Procedimiento de Instalación

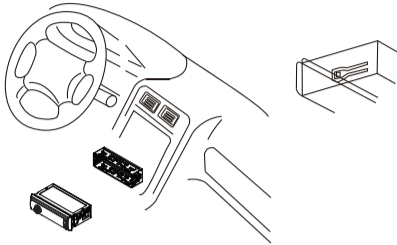
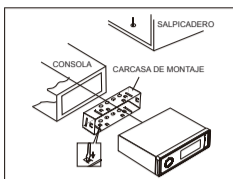
En primer lugar realice todas las conexiones eléctricas y a continuación compruebe que sean correctas.

Apertura para Instalación

Esta unidad puede ser instalada en cualquier salpicadero con una apertura como la que se muestra a continuación.



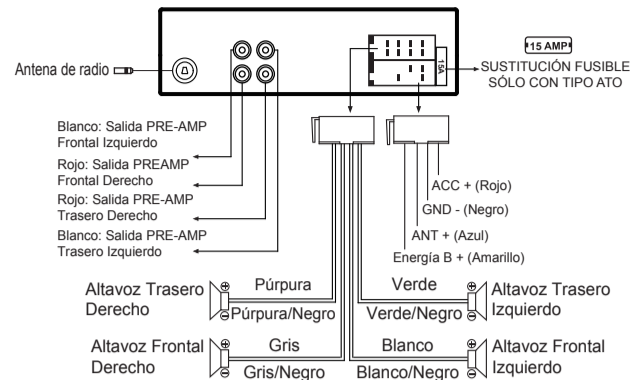
Introduzca la carcasa de montaje en el salpicadero y doble las lengüetas de montaje con un destornillador.
Asegúrese de que la palanca de bloqueo quede a nivel con la carcasa de montaje (sin sobresalir).



Instalación

Conectar todos los arneses de cableado y deslizar la unidad principal en la manga de montaje hasta que haga click.

Conexiones de cableado



- +12V DC NEGATIVO TIERRA.
- Sólo puede utilizar el altavoces con 4 ohmios de impedancia.
- La corriente máxima del disparador a remoto del amplificador es de 200 mA.

Operación de la Radio

Turnar la frecuencia entre el área de EE.UU. y de Europa

En el modo de radio, pulse el botón SEL para entrar en el estado de la frecuencia de los EE.UU. y de la UE (europa), luego lo gire a cambiar la frecuencia entre los Estados Unidos (EE.UU.) y de la UE (europa). El sistema cambiará el ajuste de la frecuencia en aproximadamente 3 segundos.

Cambiar banda (BANDA)

Presione el botón BND para cambiar entre FM1, FM2, FM3, AM1 y AM2. Cada banda puede almacenar hasta seis emisoras memorizadas.

A almacenar / recordar emisoras predeterminadas

La radio puede almacenar 6 emisoras predeterminadas para cada banda (FM1, FM2, FM3, AM1 y AM2), totalmente de 30 emisoras preestablecidas.

- Para memorizar una emisora:

Pulse el botón de ajuste deseado (numerados 1-6) durante más de 2 segundos para guardar la emisora a ese número preestablecido.

- Para recordar una emisora memorizada:

Pulse brevemente un botón de ajuste (numerados 1-6) para recordar la emisora predeterminada.

Sintonización manual

Pulse y mantenga pulsado el botón ►► ó ◄◄ para entrar en el modo de sintonización manual.

En el modo de sintonización manual, pulse el botón ►► ó ◄◄ para mover a un paso el número de frecuencia de radio hacia arriba o hacia abajo .

Sintonización buscar

En el modo de espera o fuera del modo de sintonización manual, pulse rápidamente el botón ►► ó ◄◄ para pasar de manera automática a la emisora disponible siguiente / anterior.

Reserva automática de emisora

Pulse y mantenga pulsado el botón BND/AMS durante más de 2 segundos para seleccionar seis emisoras a ser reservadas en la banda actual.

Operación de Bluetooth

Responder una llamada

- Cuando el móvil se llama, se muestra en la pantalla LCD el número de teléfono entrante.
- Para recibir la llamada, pulse el botón en el panel frontal del mando remoto.

Rechazar o finalizar una llamada

Para rechazar o finalizar la llamada, pulse el botón en el panel frontal o el mando remoto.

Cambiar el audio entre el audio del coche y del móvil

Durante una llamada, pulse la tecla / botón VOL para cambiar la fuente de audio del sistema de audio del coche volviendo a su móvil.

Ajustar volumen de llamada

- Durante una llamada, utilice el botón VOL para ajustar el nivel de volumen de la llamada.
- Utilice el botón MUTE(Silencio) para silenciar el sonido.

Transmisión de audio (A2DP)

La unidad es compatible con audio de la transmisión inalámbrica A2DP (perfil de distribución de audio avanzada) desde su móvil de Bluetooth directamente a la unidad principal. También puede controlar su música desde el panel frontal de la unidad principal utilizando AVRCP (Perfil de mando remoto de audio y vídeo).

1. Después de la vinculación, conecta y permitiendo la transmisión de audio desde un dispositivo móvil compatible, pulse el botón SRC para entrar en el modo BT, mientras se demostrará pausa en la pantalla LCD.
2. Cuando está vinculado con un dispositivo móvil, la música que se reproduce a través de este dispositivo será oído automáticamente mediante del sistema de audio del coche y demostrará A2DP en la pantalla LCD.
3. Pulse el botón ►► o ◄◄ para reproducir la siguiente o anterior en el teléfono móvil.
4. Pulse el botón ►► para pausar o recuperar la reproducción de música.

Operación General

Ajuste de opciones del menú (SEL)

- Presionar el botón SEL para seleccionar entre las funciones del menú:
 - BASS/TREBLE(graves/agudos):-7, -6, ~, 1, 0, +1, ~, +6, +7
 - BALANCE:L7, L6, ~, L1, 0, R1, ~, R6, R7
 - FADER:R7, R6, ~, R1, 0, F1, ~, F6, F7
 - Ajustes de EQ (ecualizador): OFF, CLASS, ROCK, POP, FLAT
 - Sonoridad: LOUD ON/OFF
 - DX/LOCAL: Activa o desactiva el modo de radio local (LOCAL).
 - Stereo/Mono: Cambia los modos de recepción de frecuencias de radio entre MONO y STEREO.
 - CLOCK 12/24: Esta unidad está equipada con dos formatos de visualización de la hora, 12 y 24 horas.
 - ÁREA DE EEUU / UE: Esta radio está equipada con frecuencias Europa / Estados Unidos.Gire la rueda de volumen para cambiar entre frecuencia US(EEUU) y EU(Europa). El sistema cambiará la configuración de frecuencia en 3 segundos aproximadamente.
 - Botones de Cambio de 7 color en la iluminación:
 - El color de iluminación puede ser preestablecido como Auto(el color cambia automáticamente uno por uno), azul, rojo, cian, verde, púrpura, amarillo o blanco.
- Gire la rueda VOL en el panel frontal para configurar el elemento seleccionado.

Ajustar reloj (CLK)

Presionar y mantener botón CLK una vez para mostrar la hora. Presione el botón CLK hasta que la hora parpadee. Puede ajustar la HORA presionando los botones ►► y ◄◄. A continuación presione brevemente el botón CLK, los minutos parpadearán y podrá ajustarlos usando los botones ►► y ◄◄. Por último, pulse el botón CLK para confirmar.

Pantalla LCD

On/off Silencio

Presione brevemente el botón MUTE para activar/desactivar el silencio.

Puerto USB

Micrófono de manos libres

Conector de entrada auxiliar

Reiniciar

Presionar el botón RESET para reiniciar la unidad a las configuraciones de fábrica si ocurre algún funcionamiento anormal. El botón de reinicio se encuentra en el panel frontal.

Operación de entrada auxiliar

Esta radio para coche cuenta con una toma de entrada auxiliar externa (3.5mm) en el panel frontal. Es cumple con la salida de audio de un reproductor de música MP3.

1. Podrá escuchar sonido y música desde dispositivos externos si conecta un reproductor a la toma AUX IN usando un cable de audio.
2. Presione el botón SRC para seleccionar el modo de entrada AUX.

Operación de Bluetooth

Vincular y Conectar

Antes de utilizar en la primera vez el dispositivo Bluetooth como un sistema de manos libres para un teléfono móvil compatible con Bluetooth, usted debe vincular y conectar los dos dispositivos de la siguiente manera:

1. En cualquier modo, antes de vincular y conectar, el logo BT en la pantalla LCD se indica que no hay ningún dispositivo está conectado. Para vincular, active el modo de BT en su teléfono móvil.
2. Cuando el teléfono encuentra con el sistema de audio del coche, se mostrará el nombre de "Boss 455BRGB".
3. Elegir el "Boss 455BRGB" en la lista de dispositivos para vincular y conectar con el sistema de audio del coche. Una vez confirmada, dejará de parpadear el logo BT.
4. Cuando se completa vinculación, el audio del teléfono móvil se transferirá automáticamente al sistema de audio del coche por cada vez que se hace o se recibe una llamada o cuando el teléfono móvil reproduce música.

Hacer una llamada

Para hacer una llamada, marque la llamada directamente desde el móvil vinculado.

Remarcar el último número Marcado

Pulse y mantenga pulsado el botón en el panel de control para volver a marcar el último número de teléfono marcado.

Resolución de problemas

El siguiente cuadro le ayudará a resolver la mayoría de problemas que puedan aparecer.
Si sigue teniendo dudas después de mirar la lista, consulte con su representante local del servicio al cliente. Antes de consultar la lista, lea los procedimientos de cableado y operación.

■ General

- 1) **El motor del carro no esta encendido.**
 - Gire la llave del carro en ACC o ON. (encendido)
- 2) **El cable no esta conectado correctamente.**
 - Revise la conexión.
- 3) **El fusible esta quemado.**
 - Reemplace el fusible.
- 4) **No hay volúmen o suena muy bajo.**
 - Revise el volúmen o el silencio (MUTE) on/off, ajuste el volúmen a un nivel deseado.
- 5) **Salto en el sonido**
 - El ángulo de instalación es superior a 30°. Ajuste el ángulo de instalación a menos de 30°.
- 6) **Los botones de operación no funcionan.**
 - La computadora integrada no funciona adecuadamente debido al ruido. Presione el botón RESET para reiniciar el equipo.

■ Radio

- 1) **Demasiado ruido en las estaciones.**
 - La estación o la señal está muy débil. Seleccione otra estación u otro nivel de señal.
- 2) **El cable de la antena no esta bien conectado.**
 - Inserte el cable de la antena firmemente en la conexión de la antena del dispositivo de audio.
- 3) **La estación preestablecida se borró**
 - El cable de la batería no esta conectado correctamente. Conecte el cable de la batería en la terminal correctamente.

■ USB

- 1) **Las memoria USB está conectada pero no suena.**
 - La memoria USB no estan bien conectadas. Sáquelas y reinsértelas.
 - La memoria USB no está dañana o no contiene música. Cámbiela por otra o cárguele música.

MANUAL DEL USUARIO

455BRGB

BLUETOOTH® | MEDIOS DIGITALES MP3-COMPATIBLES RECEPTOR AM/FM



BOSS Audio Systems
3451 Lunar Court • Oxnard, CA 93030
www.bossaudio.com
800-999-1236 US Toll-free
805-751-4853 Customer Service
Tech Support: www.bossaudio.com/support/technical-support



0519

iPhone / iPod touch marcas comerciales de Apple, Inc., registradas en los EE.UU. y otros países. BOSS Audio Systems no está afiliado con Apple, Inc. Las marcas registradas marca Bluetooth® y sus logotipos son marcas registradas propiedad de Bluetooth SIG, Inc. y cualquier uso de dichas marcas por parte de BOSS Audio Systems es bajo licencia. Otras marcas y nombres comerciales pertenecen a sus respectivos propietarios.