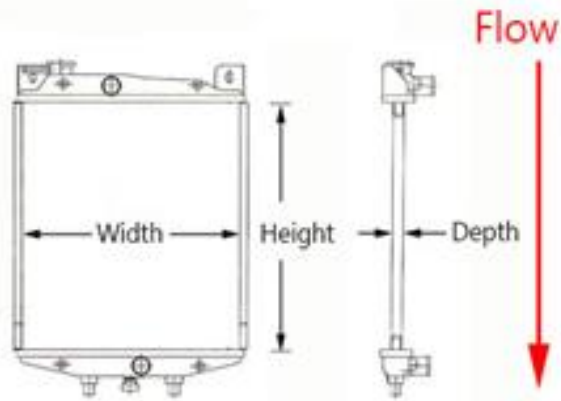


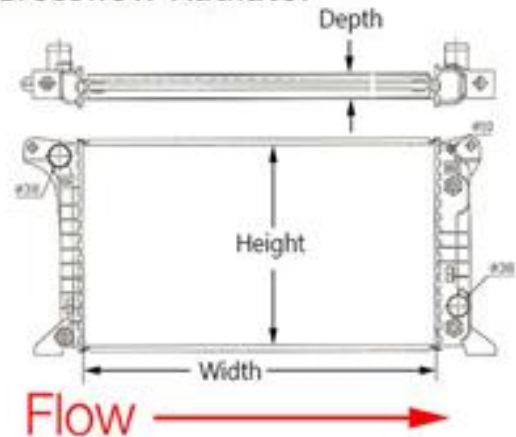
Measuring a Radiator

There are two basic radiator designs, which are named for the direction of the coolant flow and can be distinguished by the position of the tanks.

Downflow Radiator



Crossflow Radiator



Before measuring a radiator, make sure it is in the upright position with the inlet and outlet connection facing you. You will be measuring the core only. The core is the central part of the radiator (between the tanks and the side-pieces) and consists of tubes and fins. Measure only the core to determine the size of the radiator.

- **Core Height:** This dimension is always measured in the direction from top to bottom, from the sky to the ground, as shown in both diagrams above. Only the core is measured to determine the height of the radiator, do not include the side rails.
- **Core Width:** This dimension is always measure from left to right (Driver's Side to Passenger Side) as shown in both diagrams above. Only the core is measured to determine the width of the radiator, do not include the side rails.
- **Core Depth:** This dimension is the thickness of the radiator core as shown above in both diagrams.

Technological advances in radiator designs may result in your replacement radiator being constructed with different materials as well as different configurations. The height, width, and thickness measurements of your replacement radiator may not match your original radiator exactly. However, your replacement radiator will fit your application and meet or exceed the performance specifications of your original radiator.